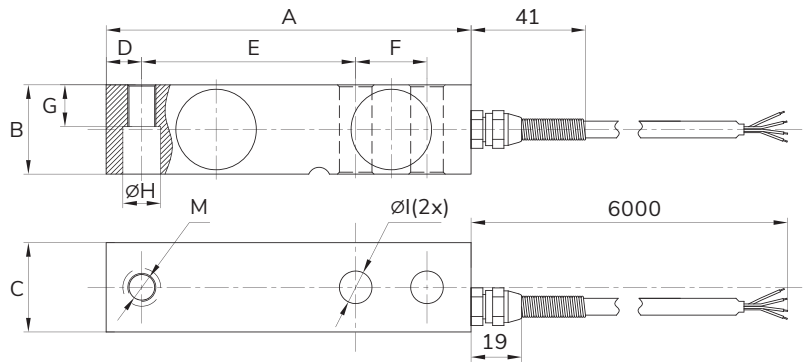




DIMENSIONS / 尺寸



FEATURES & APPLICATIONS / 特点和用途

- Shear Beam Construction
- Long-Term Stability And High Side Load Tolerance
- Max. Capacity: Up To 10t
- Mainly Used For Floor & Platform Scales

CAPACITIES / 量程

CAP (t)	SIZE (mm)	A	B	C	D	E	F	G	H	I	M	Weight / 重量
0.5/0.75/1/1.5/2/2.5		130	31.8	31.8	12.7	76.2	25.4	15.7	13.5	13	M12x1.75	1.0Kg
3/5		171.5	38.1	38.1	19	95.3	38.1	26	20	20	M18x1.5	1.9Kg
7.5/10		225.5	50.8	50.8	25.3	124	50.8	25.4	26.2	27	M24x2	4.5Kg

- 悬臂梁结构
- 长期稳定性好 / 抗偏载能力强
- 最大量程: 10t
- 主要用于地秤及平台秤

SPECIFICATIONS 详细描述

TECHNIQUE / 技术指标

PERFORMANCE	产品性能		
Non-Linearity	非线性	±0.03% of RO	±0.05% of RO
Hysteresis	滞后	±0.03% of RO	±0.05% of RO
Repeatability	重复性	±0.03% of RO	±0.05% of RO
Creep (30min)	蠕变	±0.03% of RO	±0.05% of RO
Zero Balance	零点输出	±2% of RO	

Stainless Steel / 不锈钢  
Alloy Steel / 合金钢

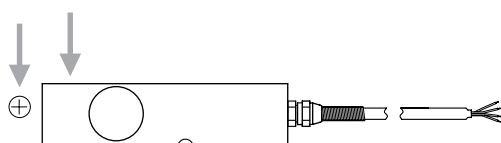
ELECTRICAL	电气特性	
Rated Output	输出灵敏度	2.0 ± 1% mV/V 3.0 ± 1% mV/V (Option / 可选)
Recommended Excitation	激励电压	10 VDC
Maximum Excitation	最大激励电压	15 VDC
Input Impedance	输入电阻	385 ± 10 Ω
Output Impedance	输出电阻	350 ± 5 Ω
Insulation	绝缘电阻	≥5000 MΩ / 100 VDC
Cable Color Code	连接方式	Input/输入: Red / 红 (E+) Black / 黑 (E-) Output/输出: Green / 绿 (S+) White / 白 (S-)

MECHANICAL	机械特性	
Weight	产品重量	See Table Above / 请参考上述表格
Safe Overload	安全超载	150% of RO
Ultimate Overload	极限超载	200% of RO
Material	材料	Stainless Steel / 不锈钢 Or Alloy Steel / 合金钢
Cable Size	电缆线尺寸	∅5 x 6000 mm
IP Rating	防护等级	IP67

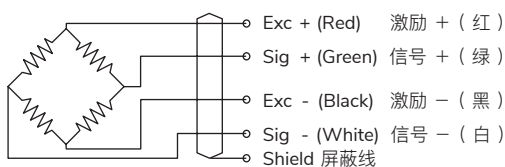
TEMPERATURE	温度特性	
Operating Temperature	工作温度范围	-20 ~ 80°C
Compensated Temp. Range	温度补偿范围	-10 ~ 60°C
Temp. Effect On Output	温度灵敏度漂移	±0.025% of RO / 10°C
Temp. Effect On Zero	零点温度漂移	±0.025% of RO / 10°C

CONFORMITY	遵循	
RoHS		2011/65/EU
CE		2014/35/EU

LOAD DIRECTION / 受力方向



SCHEMATIC WIRING DIAGRAM / 接线图



**Note:** Cable shield is not connected to element.

注: 屏蔽线不与弹性体相连。