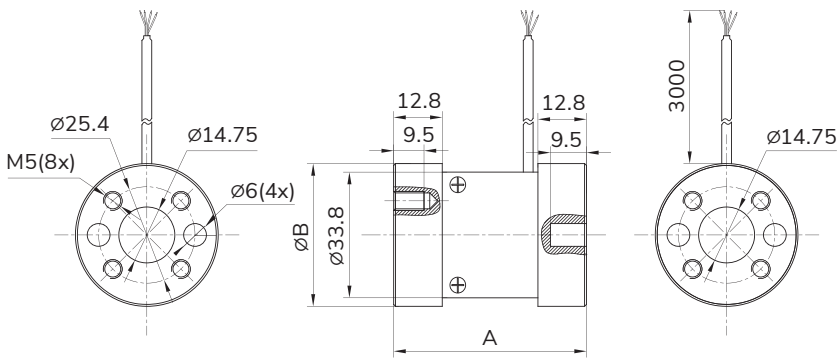


DIMENSIONS / 尺寸



CAPACITIES / 量程

CAP (Nm)	SIZE (mm)	A	ØB
1/2/3/5/6/10/20/30/50/100/150		50.8	37.6

FEATURES & APPLICATIONS / 特点和用途

- Torque Type
- Easily Integrates Into OEM Applications
- Intended For High Volume Applications
- Surface Anodized
- Designed For Static, Non-Continuous Rotational Torque Force Measurement / Auditing, Max 90°

SPECIFICATIONS

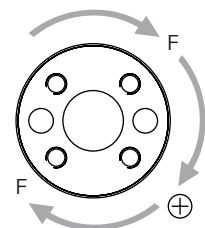
详细描述

TECHNIQUE / 技术指标

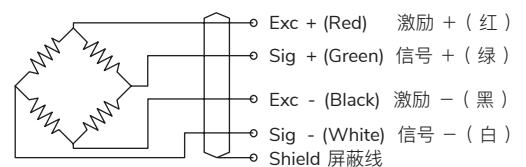
PERFORMANCE	产品性能	
Non-Linearity	非线性	±0.5% of RO
Hysteresis	滞后	±0.25% of RO
Repeatability	重复性	±0.1% of RO
Creep (30min)	蠕变	±0.5% of RO
Zero Balance	零点输出	±2% of RO
ELECTRICAL	电气特性	
Rated Output	输出灵敏度	2.0 ± 10% mV/V
Recommended Excitation	激励电压	10 VDC
Maximum Excitation	最大激励电压	15 VDC
Input Impedance	输入电阻	410 ± 10 Ω
Output Impedance	输出电阻	350 ± 5 Ω
Insulation	绝缘电阻	≥5000 MΩ / 100 VDC
Cable Color Code	连接方式	Input/输入: Red / 红 (E+) Black / 黑 (E-) Output/输出: Green / 绿 (S+) White / 白 (S-)
MECHANICAL	机械特性	
Weight	重量	0.2 kg
Safe Overload	安全超载	120% of RO
Ultimate Overload	极限超载	150% of RO
Material	材料	Aluminium Alloy / 铝合金
Cable Size	电缆线尺寸	Ø3 x 3000 mm
IP Rating	防护等级	IP65
TEMPERATURE	温度特性	
Operating Temperature	工作温度范围	-20 ~ 80°C
Compensated Temp. Range	温度补偿范围	-10 ~ 60°C
Temp. Effect On Output	温度灵敏度漂移	±0.2% of RO / 10°C
Temp. Effect On Zero	零点温度漂移	±0.2% of RO / 10°C
CONFORMITY	遵循	
RoHS		2011/65/EU
CE		2014/35/EU

- 扭矩传感器
- 轻松集成到OEM应用程序中
- 适用于大体积的应用
- 表面阳极氧化
- 设计用于静态、非连续旋转扭矩力测量，最大转角90°

LOAD DIRECTION / 受力方向



SCHEMATIC WIRING DIAGRAM / 接线图



Note: Cable shield is not connected to element.
注：屏蔽线不与弹性体相连。