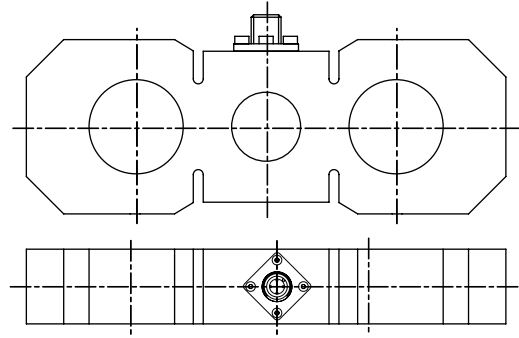




DIMENSIONS / 尺寸



**Note:** Dimensions acc customer requirement  
 注：可根据客户需求定制产品

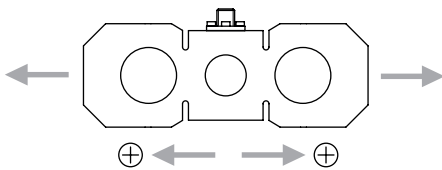
FEATURES & APPLICATIONS / 特点和用途

- For Static And Dynamic In Line Tension Measurement
- High Accuracy. Easy To Install
- Customized Size And Shape Possible
- Affordable Replacement Of Original Tension Links To Gain Overload Protection
- Used For Various Kinds Of Crane And Hook Scales
- 用于静态和动态张力测量
- 高精度, 易于安装
- 尺寸和形状可定制
- 替代原来的拉链以获取过载保护
- 用于各种起重机和吊钩秤

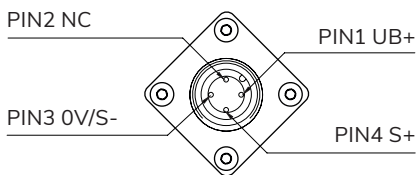
CAPACITIES / 量程

CAP (t)	SIZE (mm)
0.1~200	Acc. Design 按设计而定

LOAD DIRECTION / 受力方向



SCHEMATIC WIRING DIAGRAM / 接线图



SPECIFICATIONS 详细描述 TECHNIQUE / 技术指标

PERFORMANCE	产品性能	
Non-Linearity	非线性	±0.5% of RO
Hysteresis	滞后	±0.2% of RO
Repeatability	重复性	±0.1% of RO
Creep (30min)	蠕变	±0.05% of RO
Zero Balance	零点输出	±1% of RO
ELECTRICAL	电气特性	
Rated Output	输出灵敏度	4 ~ 20 mA (Three / Wires 三线) 0 ~ 10 V (Option / 可选)
Recommended Excitation	激励电压	16 ~ 24 VDC
Maximum Excitation	最大激励电压	24 VDC
Insulation	绝缘电阻	≥5000 MΩ / 100 VDC
Cable Color Code	连接方式	PIN 1 : UB+ / 电源+    PIN 2 : NC PIN 3 : 0V/S- 电源 / 信号-    PIN 4 : S+ / 信号+
MECHANICAL	机械特性	
Weight	重量	Acc. Design / 按设计而定
Safe Overload	安全超载	120% of RO
Ultimate Overload	极限超载	150% of RO
Material	材料	Stainless Steel / 不锈钢
Connector	连接器接头	M12 x 1-4P
IP Rating	防护等级	IP67
TEMPERATURE	温度特性	
Operating Temperature	工作温度范围	-20 ~ 80°C
Compensated Temp. Range	温度补偿范围	-10 ~ 60°C
Temp. Effect On Output	温度灵敏度漂移	±0.2% of RO / 10°C
Temp. Effect On Zero	零点温度漂移	±0.2% of RO / 10°C
CONFORMITY	遵循	
RoHS		2011/65/EU
CE		2014/35/EU