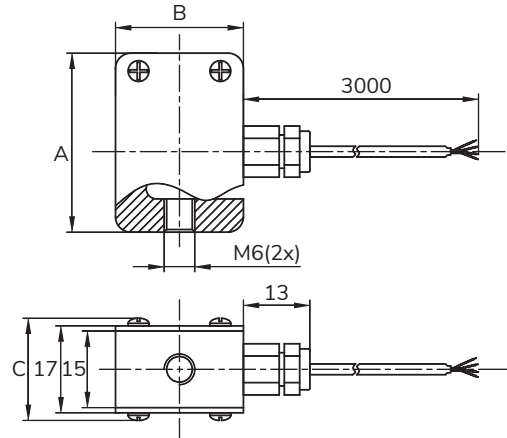




DIMENSIONS / 尺寸

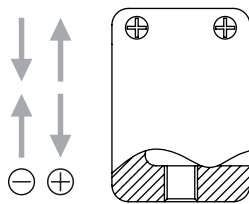


FEATURES & APPLICATIONS / 特点和用途

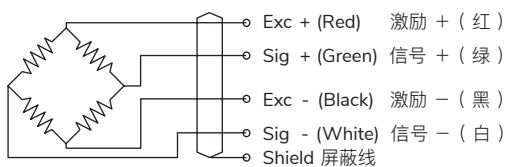
- For In Line Use In Both Tension And Compression
- Notable Nonlinearity
- Light Weight, Miniature Size
- Mainly Used For Pull And Push Dynamometer And Industrial Measuring Systems

- 拉压双向传感器
- 明显的非线性
- 重量轻, 体积小
- 主要用于推拉计及工业测量系统

LOAD DIRECTION / 受力方向



SCHEMATIC WIRING DIAGRAM / 接线图



Note: Cable shield is not connected to element.
注: 屏蔽线不与弹性体相连。

CAPACITIES / 量程

CAP (Kg)	SIZE (mm)	A	B	C	Material / 材料
1/2/3/5/10/15/20/50		35	25	20	Aluminium Alloy / 铝合金
5/10/15/20/50	Alloy steel / 合金钢				

SPECIFICATIONS 详细描述

TECHNIQUE / 技术指标

PERFORMANCE	产品性能	
Non-Linearity	非线性	±0.05% of RO
Hysteresis	滞后	±0.05% of RO
Repeatability	重复性	±0.05% of RO
Creep (30min)	蠕变	±0.05% of RO
Zero Balance	零点输出	±2% of RO
ELECTRICAL	电气特性	
Rated Output	输出灵敏度	2.0 ± 10% mV/V
Recommended Excitation	激励电压	5 VDC
Maximum Excitation	最大激励电压	10 VDC
Input Impedance	输入电阻	410 ± 10 Ω (Aluminium Alloy / 铝合金)
		385 ± 10 Ω (Alloy steel / 合金钢)
Output Impedance	输出电阻	350 ± 5 Ω
Insulation	绝缘电阻	≥5000 MΩ / 100 VDC
Cable Color Code	连接方式	Input/输入: Red / 红 (E+) Black / 黑 (E-)
		Output/输出: Green / 绿 (S+) White / 白 (S-)
MECHANICAL	机械特性	
Weight	产品重量	0.1Kg
Safe Overload	安全超载	120% of RO
Ultimate Overload	极限超载	200% of RO
Material	材料	See Table Above / 请参考上述表格
Cable Size	电缆线尺寸	∅3 x 3000 mm
IP Rating	防护等级	IP65
TEMPERATURE	温度特性	
Operating Temperature	工作温度范围	-20 ~ 80°C
Compensated Temp.Range	温度补偿范围	-10 ~ 60°C
Temp. Effect On Output	温度灵敏度漂移	±0.025% of RO / 10°C
Temp. Effect On Zero	零点温度漂移	±0.025% of RO / 10°C
CONFORMITY	遵循	
RoHS		2011/65/EU
CE		2014/35/EU